

PLEASE CHECK WWW.MOLEX.COM FOR LATEST PART INFORMATION

Part Number: [0334680002](#)
Status: **Active**
Overview: [mx64 sealed single row connectors](#)
Description: 2.54mm (.100") Pitch MX64™ Terminal, Tin (Sn) Plating, 22 AWG, Left Reel Payoff, Also used with MX123™ Female Receptacle Housing

Documents:

[Drawing \(PDF\)](#) [RoHS Certificate of Compliance \(PDF\)](#)

General

Product Family	Crimp Terminals
Series	33468
Comments	Left Reel Payoff
Crimp Quality Equipment	Yes
Overview	mx64 sealed single row connectors
Product Name	MX123, MX64™

Physical

Gender	Female
Material - Metal	Copper
Material - Plating Mating	Tin
Material - Plating Termination	Tin
Packaging Type	Reel
Plating min: Mating (µin)	100
Plating min: Mating (µm)	2.5
Plating min: Termination (µin)	76
Plating min: Termination (µm)	1.90
Termination Interface: Style	Crimp or Compression
Wire Insulation Diameter	1.50-2.06mm (.059-.081")
Wire Size AWG	22
Wire Size mm²	N/A

Material Info

Reference - Drawing Numbers

Packaging Specification	PK-30907-759, PK-31300-516
Sales Drawing	SD-33468-001

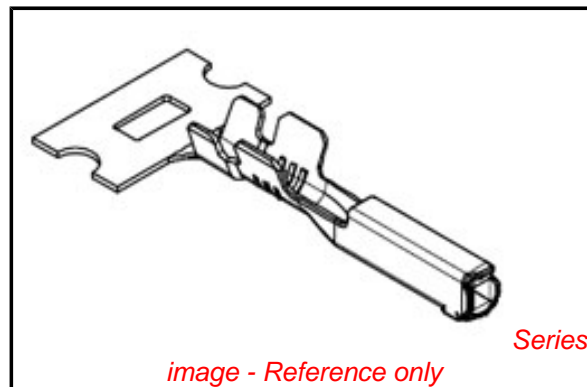


image - Reference only

EU RoHS

ELV and RoHS Compliant
REACH SVHC
Contains SVHC: No
Halogen-Free Status

China RoHS



Need more information on product environmental compliance?

Email productcompliance@molex.com
 For a multiple part number RoHS Certificate of Compliance, [click here](#)

Please visit the [Contact Us](#) section for any non-product compliance questions.

Search Parts in this Series

[33468Series](#)

Use With

MX64™ Sealed Single Row Crimp Housing 31403 , MX123™ Female Receptacle Housing 34566 , 34576

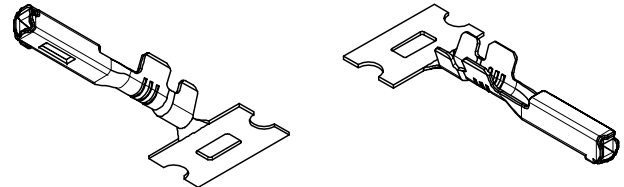
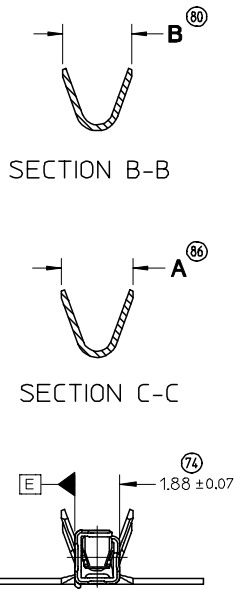
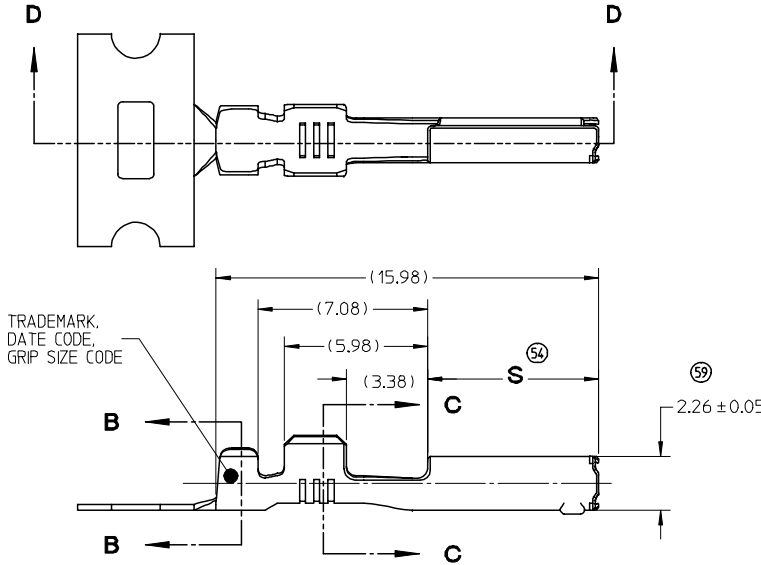
Application Tooling | FAQ

Tooling specifications and manuals are found by selecting the products below. Crimp Height Specifications are then contained in the Application Tooling Specification document.

Global

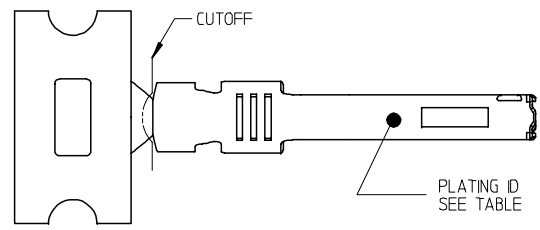
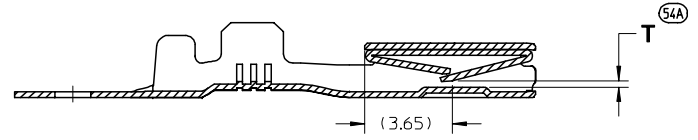
Description	Product #
Hand Crimp Tool	0638114200
Manual Extraction Tool	0638131400
FineAdjust™ Applicator	0638673100

PLEASE CHECK WWW.MOLEX.COM FOR LATEST PART INFORMATION



ISO VIEWS
SCALE 3:1

- NOTES: (UNLESS OTHERWISE SPECIFIED)
1. MATERIALS: SEE TABLE
 2. PACKAGING SPECIFICATION: PK-31300-516 AND PK-30907-759
 3. CRMPED LEAD MEETS THE FOLLOWING:
 - 3.1. SAE/USCAR-21, MAY 2002
 - 3.2. SAE/USCAR-2, REV. 3, APRIL 2001
 - 3.3. SAE/USCAR-12, REV. 2
 - 3.4. GMW #3191 AUGUST 22, 2000 (DRAFT) TEMPERATURE CLASS 3, APPLES ONLY TO Au PARTS

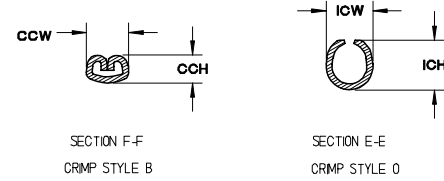


GRIP SIZE GAGE	GRIP SIZE CODE	PART NUMBER	PART REV	REEL PAYOFF DIRECTION	DIM A	DIM B	DIM S	DIM T	BASE MATERIAL	PLATING ID	LUBRICATION
22	A	33468-0002	G	D	2.3	2.3	7.15 ± 0.10	0.26 ± 0.07	COPPER ALLOY	Sn Lead Free	NO
		33468-0001	G	B					COPPER ALLOY	Au Lead Free	NO
		33467-0003	G	B	2.3	2.3	6.97-7.27	0.26 ± 0.07	COPPER ALLOY	Au Lead Free	NO
18/20	B	33468-0004	G	D	3.0	2.9	7.15 ± 0.10	0.26 ± 0.07	COPPER ALLOY	Sn Lead Free	NO
		33468-0003	G	B					COPPER ALLOY	Au Lead Free	NO
		33467-0006	G	D	3.0	2.9	6.97-7.27	0.26 ± 0.07	COPPER ALLOY	Au Lead Free	NO
		33467-0005	G	B							

ENTER DESCRIPTION EC NO: UAU2007-0559 (DR)W.DHEMNI 2007/04/12 (CHK)D.D.HEMNI 2007/04/13 (APP)R.BOSER 2007/04/13	QUALITY SYMBOLS	GENERAL TOLERANCES (UNLESS SPECIFIED)	DIMENSION STYLE	SCALE	DESIGN UNITS	THIRD ANGLE PROJECTION MX64 RECEPTACLE TERMINAL MOLEX INCORPORATED															
	$\nabla=0$ $\nabla=0$	<table border="1"> <tr> <th></th> <th>MM</th> <th>INCH</th> </tr> <tr> <td>4 PLACES</td> <td>± ---</td> <td>± ---</td> </tr> <tr> <td>3 PLACES</td> <td>± ---</td> <td>± ---</td> </tr> <tr> <td>2 PLACES</td> <td>± 0.10</td> <td>± ---</td> </tr> <tr> <td>1 PLACE</td> <td>± 0.3</td> <td>± ---</td> </tr> </table>		MM	INCH		4 PLACES	± ---	± ---	3 PLACES	± ---	± ---	2 PLACES	± 0.10	± ---	1 PLACE	± 0.3	± ---	MM ONLY	5:1	METRIC
		MM	INCH																		
	4 PLACES	± ---	± ---																		
3 PLACES	± ---	± ---																			
2 PLACES	± 0.10	± ---																			
1 PLACE	± 0.3	± ---																			
<table border="1"> <tr> <td>DRAWN BY</td> <td>DATE</td> </tr> <tr> <td>L. PULLIAM</td> <td>2/3/2006</td> </tr> <tr> <td>CHECKED BY</td> <td>DATE</td> </tr> <tr> <td>D. HEMNANI</td> <td>2/3/2006</td> </tr> <tr> <td>APPROVED BY</td> <td>DATE</td> </tr> <tr> <td>B. MOSER</td> <td>2/3/2006</td> </tr> </table>	DRAWN BY	DATE	L. PULLIAM	2/3/2006	CHECKED BY	DATE	D. HEMNANI	2/3/2006	APPROVED BY	DATE	B. MOSER	2/3/2006	ANGULAR ± 3 °	TITLE							
DRAWN BY	DATE																				
L. PULLIAM	2/3/2006																				
CHECKED BY	DATE																				
D. HEMNANI	2/3/2006																				
APPROVED BY	DATE																				
B. MOSER	2/3/2006																				
<table border="1"> <tr> <td>MATERIAL NO.</td> <td>DOCUMENT NO.</td> <td>SHEET NO.</td> </tr> <tr> <td>SEE TABLE</td> <td>SD-33468-001</td> <td>1 OF 3</td> </tr> </table>	MATERIAL NO.	DOCUMENT NO.	SHEET NO.	SEE TABLE	SD-33468-001	1 OF 3															
MATERIAL NO.	DOCUMENT NO.	SHEET NO.																			
SEE TABLE	SD-33468-001	1 OF 3																			

WIRE APPLICATION SEE NOTE 2		APPLICATOR TOOLING INFORMATION TABLE																
SAE AWG	METRIC mm ²	A	B	C	D	E	F	G	H	J	K	L	M	N	P	R	S	T
FOR TOLERANCE SEE APPLICATOR TOOLING TOLERANCE TABLE																		
18	(0.8)	0.470	1.803	7.1	12.13	0.944	6.5	1.783	1.83	1.885	0.98	0.98	0.22	2.10	1.90	0.34	2.10	0.98
20	(0.5)	0.470	1.803	7.1	12.13	0.944	6.5	1.783	1.83	1.885	0.98	0.98	0.22	2.10	1.90	0.34	2.10	0.98
22	(0.35)	0.353	1.457	7.4	12.14	0.880	6.3	1.435	2.29	1.700	1.02	0.89	0.17	1.97	1.71	0.31	1.27	0.68

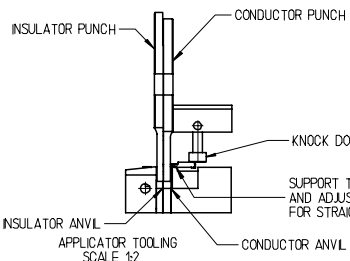
TERMINAL CRIMP INFORMATION TABLE				
PART NUMBER	CONDUCTOR CRIMP HEIGHT CCH TOL. ±0.05mm	CONDUCTOR CRIMP WIDTH CCW TOL. ±0.05mm	INSULATOR CRIMP HEIGHT ICH TOL. ±0.1mm	INSULATOR CRIMP WIDTH ICW TOL. ±0.1mm
33467-0005 33467-0006 33468-0003 33468-0004	1.15	1.80	2.10	1.95
33467-0005 33467-0006 33468-0003 33468-0004	1.10	1.80	1.95	1.95
33467-0003 33467-0004 33468-0001 33468-0002	0.95	1.45	1.60	1.80



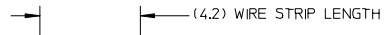
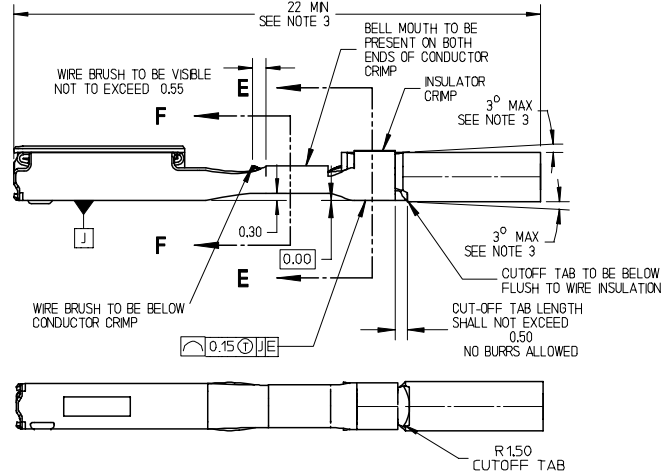
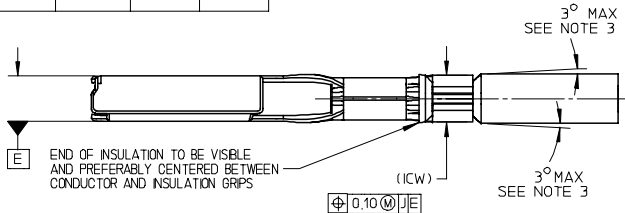
SUPPLIER APPLICATOR TOOLING TABLE SEE NOTE 4.2	
PART NUMBER	DESCRIPTION
63867-3000	MX64 CRIMP APPLICATOR WITH APPLICATOR TOOL KIT 18/20 AWG (PAYOFF DIRECTION D (LEFT PAYOFF) (CONTACT MOLEX FOR PAYOFF DETAIL))
63867-3070	MX64 APPLICATOR TOOL KIT 18/20 AWG
63867-3100	MX64 CRIMP APPLICATOR WITH APPLICATOR TOOL KIT 22 AWG (PAYOFF DIRECTION D (LEFT PAYOFF) (CONTACT MOLEX FOR PAYOFF DETAIL))
63867-3170	MX64 APPLICATOR TOOL KIT 22 AWG

- NOTES: (UNLESS OTHERWISE SPECIFIED, APPLIES TO CRIMPED LEAD ONLY)
- TERMINAL:
 - MATING (BLADE/PIN) SHALL CONFORM TO EWCAP-001 REV. B
 - RECEPTACLE CRIMPED LEAD MUST BE USED WITH MATCHING PLATING TYPE ON MALE TERMINAL
 - WIRE SHALL MEET THE FOLLOWING SPECIFICATIONS:
 - SAE: ESB-MIL123-A
WSS-MIL123-A1
SAE J1128 WITH OUTSIDE DIAMETER OF 1.47mm MINIMUM - 2.06mm MAXIMUM
 - METRIC: WSK-MIL126-A1
 - WIRE CONDITION AFTER CRIMP:
 - CRIMPED TERMINAL LEAD MUST BE ABLE TO PASS FREELY THROUGH THE CHECKING AD SHOWN ON SHEET 3
 - WIRE SURFACE MUST BE FREE OF SCRATCHES, GROVES OR DENTS
 - TOOLING:
 - FOR HAND CRIMPED TOOLING REFER 63811-4200
 - FOR APPLICATOR TOOLING REFER TO APPLICATOR TOOLING INFORMATION OR SUPPLIER APPLICATOR TOOLING TABLE

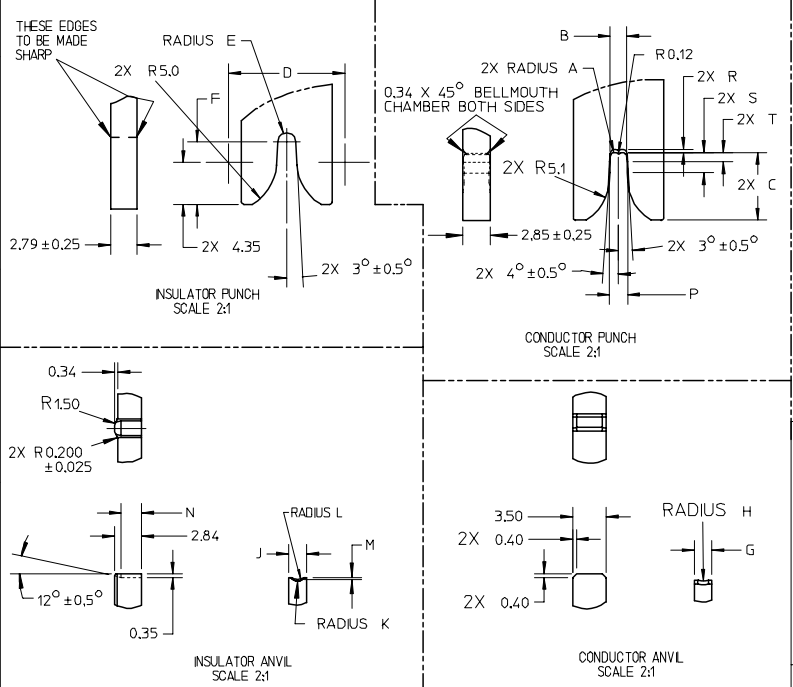
APPLICATOR TOOLING INFORMATION



APPLICATOR TOOLING TOLERANCE TABLE	
3 PLACE	±0.005
2 PLACE	±0.025
1 PLACE	±0.13
ANGULAR	±0.5°

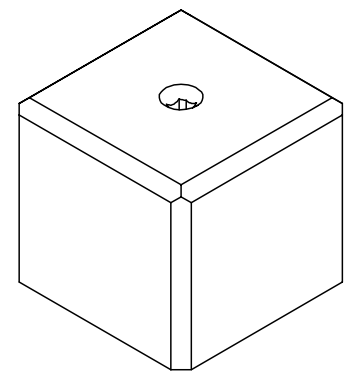
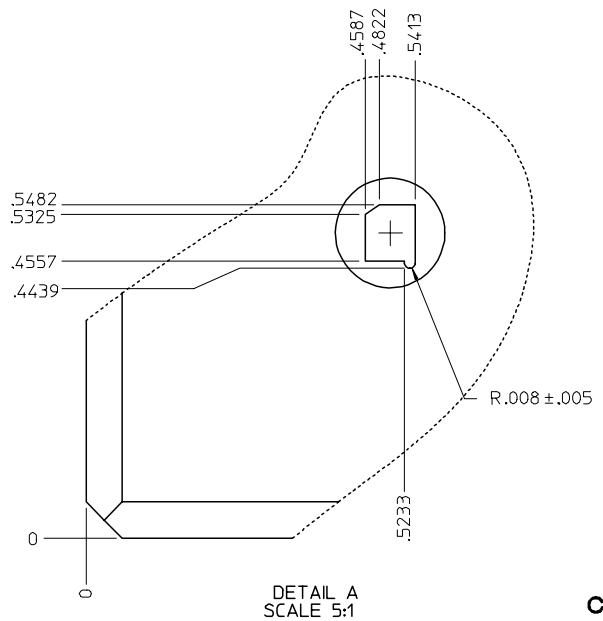
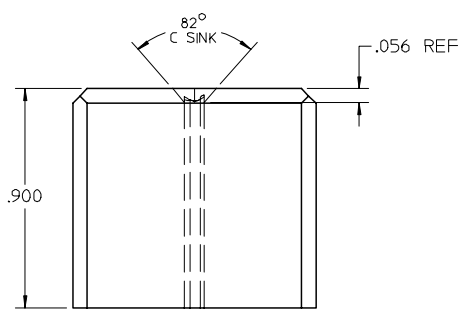
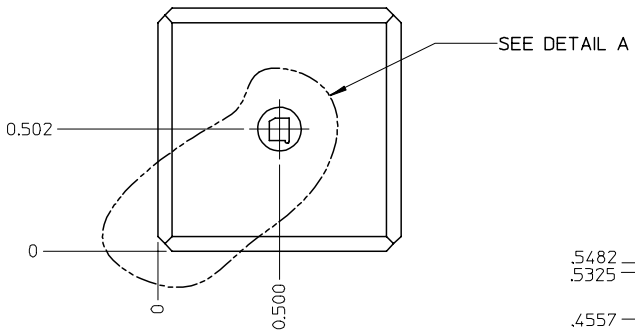


THIS SHEET APPLIES TO RECEPTACLE CRIMPED LEAD ONLY



ENTER DESCRIPTION EC NO: UAU2007-0559 IDRWINDHEWANI 2007/04/12 CHKDDJ.HEMNANI 2007/04/13 APPR:BMOSER 2007/04/13	QUALITY SYMBOLS =0 =0	GENERAL TOLERANCES (UNLESS SPECIFIED)		DIMENSION STYLE MM ONLY		SCALE 5:1	DESIGN UNITS METRIC	THIRD ANGLE PROJECTION	
		mm	INCH	DRAWN BY L. PULLIAM	DATE 2/3/2006	TITLE MX64 RECEPTACLE TERMINAL	MATERIAL NO. SEE TABLE		
4 PLACES	± ---	± ---		CHECKED BY D. HEMNANI	DATE 2/3/2006	MOLEX INCORPORATED			
3 PLACES	± ---	± ---		APPROVED BY B. MOSER	DATE 2/3/2006	DOCUMENT NO. SD-33468-001			
2 PLACES	± 0.10	± ---		SIZE B		THIS DRAWING CONTAINS INFORMATION THAT IS PROPRIETARY TO MOLEX INCORPORATED AND SHOULD NOT BE USED WITHOUT WRITTEN PERMISSION			
1 PLACE	± 0.3	± ---		ANGULAR ± 3°		SHEET NO. 2 OF 3			

SUPPLIER CHECKING AID TOOLING	
PART NUMBER	DESCRIPTION
63867-3008	MX64 CRIMPED LEAD STRAIGHTNESS CHECKING AID FOR 18 AWG, 20 AWG AND 22 AWG



- NOTES: (UNLESS OTHERWISE SPECIFIED)
1. MATERIAL: STEEL 4140 PREHARDENED
 2. FINISH:
 - 2.1 SURFACE: BLACK OXIDE
 - 2.2 INSIDE PROFILE: POLISH
 3. ALL DIMENSIONS ON THIS SHEET ARE IN INCHES
 4. TOLERANCES ON THIS SHEET ARE IN INCHES
 - 2 PLACES ± .01
 - 3 PLACES ± .005
 - 4 PLACES ± .0002

CRIMPED LEAD STRAIGHTNESS CHECKING AID FOR 18 AWG, 20 AWG AND 22 AWG

THIS SHEET APPLIES TO RECEPTACLE CRIMPED LEAD ONLY

ENTER DESCRIPTION EC NO: UAU2007-0559 (DRAWN)HEMNI 2007/04/12 (CHKD)D. HEMNANI 2007/04/13 (APPR.)BOSER 2007/04/13	QUALITY SYMBOLS ▽=0 ▽=0	GENERAL TOLERANCES (UNLESS SPECIFIED)		DIMENSION STYLE	SCALE	DESIGN UNITS	THIRD ANGLE PROJECTION	
				MM ONLY	2:1	METRIC		
				DRAWN BY DATE		TITLE		
				L. PULLIAM 2/3/2006		MX64 RECEPTACLE TERMINAL		
G REV	DESCRIPTION	4 PLACES ± --- ± --- 3 PLACES ± --- ± --- 2 PLACES ± 0.10 ± --- 1 PLACE ± 0.3 ± --- ANGULAR ± 3 °		CHECKED BY DATE D. HEMNANI 2/3/2006		MOLEX INCORPORATED		
				APPROVED BY DATE B. MOSER 2/3/2006		DOCUMENT NO. SD-33468-001		
		MATERIAL NO.		SEE TABLE		SHEET NO.		
				SIZE B		3 OF 3		